



**Description:** Square-shaped LED downlight with direct adjustable light, complete with frame for recessed installation.

**Body:** aluminum body, white painted with epoxy powders stabilized to UV rays, thermosetting at 180 ° C, after degreasing, phosphating and washing treatment. The device is supplied complete with brackets for fixing to the false ceiling.

**Optical group:** internal reflector in metallized polycarbonate with protective lens of the LED source. 55 ° symmetrical opening beam. Tilting (21 °) and rotatable (355 °) adjustable ring nut, with lamp holder springs. Complete with LED source. Protection degree IP40 / 20 (IP40 on the visible part, IP20 on the embedded part).

**Wiring:** power supply 220-240V 50 / 60Hz with rigid cable, sect. 0.50 mm<sup>2</sup> and sheath of PVC-HT resistant to 90 ° C according to CEI 20-20 standards.

Insulation class II.

Suitable for installation on normally flammable surfaces.

- LED version with fixed output electronic driver for independent use, included
- DALI LED dimmable version, with digital dimmable electronic driver DALI standard for independent use, included.

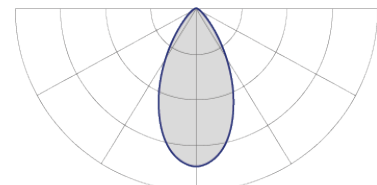
On request available:

- Versions with 1 hour autonomy emergency kit.

**Luminous source:** High efficiency LEDs arranged on rigid modules, color rendering IRC > 80 and IRC > 90, color temperature 3000K or 4000K (LED diode selected 3 MacAdam ellipses in order to guarantee uniform chromaticity), duration > 150000 hours L80 / B20 at Ta = 25 ° C.



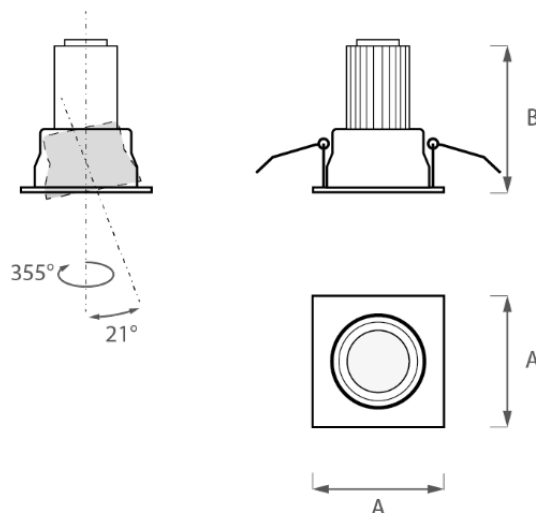
Demonstration image



Photometric curve

**Regulations:** appliance complies with the following standards:

- |                 |                  |                |
|-----------------|------------------|----------------|
| • EN 61547      | • IEC/TR 62471-2 | • EN 60598-2-2 |
| • EN 55015      | • EN 60061-1     | • EN 62471     |
| • EN 61000-3-2  | • EN 62031       | • EN 62560     |
| • EN 61000-3-3  | • EN 62493       | • EN 60968     |
| • EN 61347-1    | • EN 60598-1     | • CEI 76-10    |
| • EN 61347-2-13 | • EN 60598-2-1   | • EN 60529     |





| Power [W] | Color temperature [K] | CRI | Effective flux [lm] * | Efficiency [lm/W] | Energetic class | Dimensions [mm] |     |            | Code / Wiring |           |
|-----------|-----------------------|-----|-----------------------|-------------------|-----------------|-----------------|-----|------------|---------------|-----------|
|           |                       |     |                       |                   |                 | Ø A             | B   | Ø recessed | LED           | LED DALI  |
| 5         | 3000                  | >80 | 693                   | 138               | A++             | 90              | 93  | 83         | 575400001     | 575400006 |
| 5         | 4000                  | >80 | 727                   | 145               | A++             | 90              | 93  | 83         | 575400011     | 575400016 |
| 7         | 3000                  | >80 | 904                   | 129               | A++             | 90              | 93  | 83         | 575400002     | 575400007 |
| 7         | 4000                  | >80 | 949                   | 135               | A++             | 90              | 93  | 83         | 575400012     | 575400017 |
| 9         | 3000                  | >80 | 1106                  | 122               | A++             | 90              | 93  | 83         | 575400003     | 575400008 |
| 9         | 4000                  | >80 | 1160                  | 128               | A++             | 90              | 93  | 83         | 575400013     | 575400018 |
| 11        | 3000                  | >80 | 1298                  | 118               | A++             | 90              | 113 | 83         | 575400004     | 575400009 |
| 11        | 4000                  | >80 | 1365                  | 124               | A++             | 90              | 113 | 83         | 575400014     | 575400019 |
| 13        | 3000                  | >80 | 1486                  | 114               | A++             | 90              | 113 | 83         | 575400005     | 575400010 |
| 13        | 4000                  | >80 | 1555                  | 119               | A++             | 90              | 113 | 83         | 575400015     | 575400020 |

| Power [W] | Color temperature [K] | CRI | Effective flux [lm] * | Efficiency [lm/W] | Energetic class | Dimensions [mm] |     |            | Code / Wiring |           |
|-----------|-----------------------|-----|-----------------------|-------------------|-----------------|-----------------|-----|------------|---------------|-----------|
|           |                       |     |                       |                   |                 | Ø A             | B   | Ø recessed | LED           | LED DALI  |
| 5         | 3000                  | >90 | 535                   | 107               | A++             | 90              | 93  | 83         | 575400021     | 575400026 |
| 5         | 4000                  | >90 | 660                   | 132               | A++             | 90              | 93  | 83         | 575400031     | 575400036 |
| 7         | 3000                  | >90 | 698                   | 99                | A++             | 90              | 93  | 83         | 575400022     | 575400027 |
| 7         | 4000                  | >90 | 862                   | 123               | A++             | 90              | 93  | 83         | 575400032     | 575400037 |
| 9         | 3000                  | >90 | 854                   | 94                | A++             | 90              | 93  | 83         | 575400023     | 575400028 |
| 9         | 4000                  | >90 | 1053                  | 117               | A++             | 90              | 93  | 83         | 575400033     | 575400038 |
| 11        | 3000                  | >90 | 1001                  | 91                | A++             | 90              | 113 | 83         | 575400024     | 575400029 |
| 11        | 4000                  | >90 | 1059                  | 96                | A++             | 90              | 113 | 83         | 575400034     | 575400039 |
| 13        | 3000                  | >90 | 1141                  | 87                | A++             | 90              | 113 | 83         | 575400025     | 575400030 |
| 13        | 4000                  | >90 | 1207                  | 92                | A++             | 90              | 113 | 83         | 575400035     | 575400040 |

\* Actual flow may have a tolerance of ± 10%.